

## LR30-BATTERY Datasheet

### Description

The LR30-BATTERY an LR30 alarm with built in backup battery. The alarm operates from a switched input, such as a float switch or pressure switch. The alarm can be activated either by a closed circuit switched input or an open circuit switched input.

The LR30-BATTERY is available for 110-240Vac supply voltages or 12-24Vac/dc supply voltages depending on the model.

Once activated, the alarm provides a visual and audio indicator. There is an option to connect an external beacon or other circuitry via the auxiliary output and/or the volt free relay output.

A mute button allows the operator silence the audio alarm of the unit without affecting the visual, auxiliary output or volt free relay output of the alarm.

A test button conveniently allows the operator to check the alarm functions without the need of triggering the input to the alarm.

Power to the alarm is indicated via a blue constant light, allowing easy operational inspection of the unit. In the event of a power outage the alarm will still operate for up to 72 hours and the power indicator will flash red.

Typical uses for this alarm are high or low-level warnings in water treatment tanks.

### Specification

	Rating
<b>Enclosure</b>	
IP rating	IP65 rated
Dimensions	230x120x100mm
Weight	0.7kg
<b>Supply Voltage</b>	
240V variant	110V-240Vac [ 50/60Hz ]
24V Variant	12-24Vac/dc [ 50/60Hz ]
<b>Fusing</b>	250mA [Internal 240V] 3A [Internal 24V]
<b>Switched Input</b>	
Max cable length	200m
Switched voltage	5Vdc
Max switched current	10mA
<b>Audio Output</b>	
Max sound level	105dB
<b>Visual Alarm Output</b>	Red flashing LED
<b>Output Relay</b>	
Relay topology	SPDT [COM/NO/NC]
Max current	10A @250Vac
Max Voltage	250Vac
<b>Auxiliary Output</b>	
Voltage	12Vdc
Max Current	250mA [ 3W ]
<b>Terminal Capacity</b>	0.2-4mm <sup>2</sup> [tool free wire fitting]
<b>Ambient Temperature</b>	-10°C to +55°C
<b>Backup Battery</b>	72 hours max run time

### Contact

ADDRESS: Triton Controls Ltd  
Randolph Industrial Estate  
Evenwood  
Bishop Auckland  
DL14 9SJ UK

TEL: +44 (0) 1388 833 000  
EMAIL: info@tritoncontrols.co.uk  
WEBSITE: www.tritoncontrols.co.uk

Designed & Manufactured in the UK



### Key Features

- Alarm LED indicator
- Alarm audio buzzer
- Alarm audio mute button
- Alarm test button
- Power LED indicator
- IP65 rated enclosure
- Auxiliary alarm output for accessories such as a beacon or siren
- Volt free relay contact output SPDT
- Easily upgradable GSM module port
- Configurable for ACTIVE open or ACTIVE closed alarm input
- Easy installation no tool required WAGO wiring terminals
- Backup battery with up to 72 hours run time
- Built in GSM display for GSM upgrade module

### Accessories

- LRAC-A003 12Vdc IP65 Flashing Red Beacon
- Works with all Triton Controls float switches i.e., LR03-L10M-CPE
- LR30 GSM upgrade module

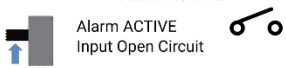
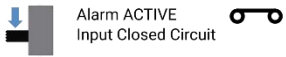
# Internal Features

**18650 Li-ion Backup Battery**  
The battery is supplied unfitted and must be fitted during installation

**Aux output for accessories**  
Output activated by the alarm  
*12Vdc-250mA*

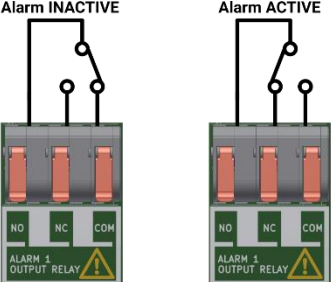
**Alarm Active OPEN/CLOSED Option**  
[See Wiring Examples Below]

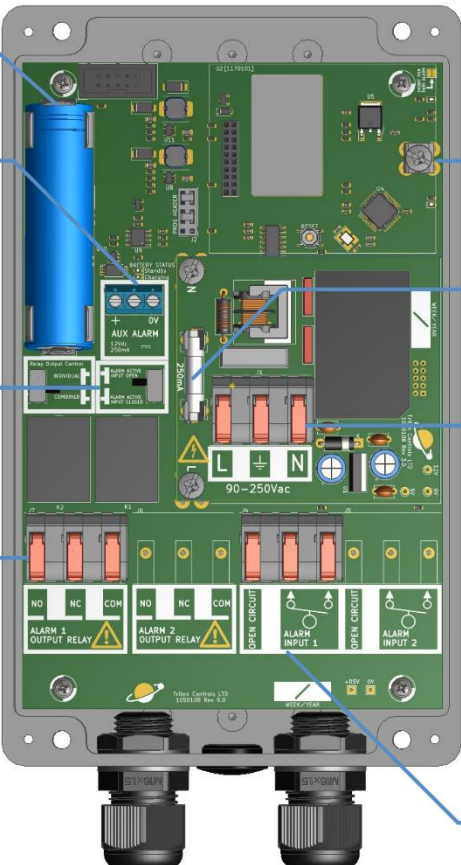
**Alarm ACTIVE**

 Alarm ACTIVE Input Open Circuit  
 Alarm ACTIVE Input Closed Circuit


**Alarm Output Relay [volt Free Output]**  
10A 240V max

**Alarm INACTIVE**      **Alarm ACTIVE**

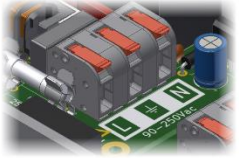




**GSM module upgrade port**  
[fitted for GSM variant]

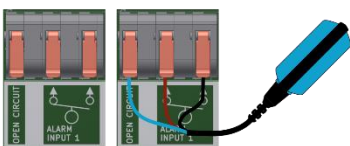


**250mA [240V] or 3A [24V] 20mm Line in fuse**



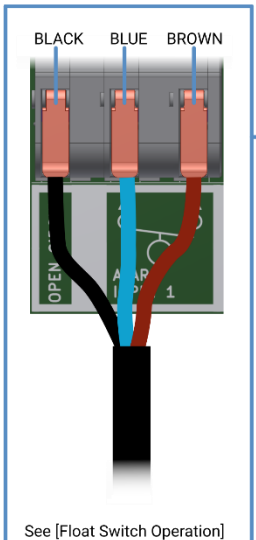
**90-240Vac 50/60Hz or 12-24Vac/dc WAGO easy install connector**

**Alarm Input**  
[See Wiring Examples Below]



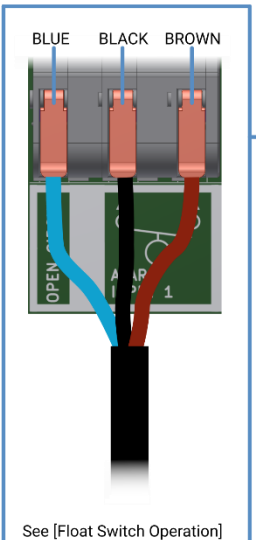
## Typical Installation

**Alarm Active OPEN Circuit Option**  
[Recommended]



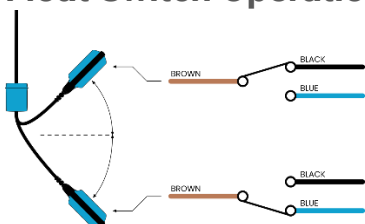
See [Float Switch Operation]

**Alarm Active CLOSED Circuit Option**



See [Float Switch Operation]

## Float Switch Operation



**NOTE:** The float switch must be tethered or weighted to operate correctly

**NOTE 2:** None Triton Controls Float switches may be wired differently

## LR30 Full Range

	Description
<b>LR30 BASIC</b>	Basic alarm
<b>LR30 BASIC GSM</b>	Basic alarm with GSM module fitted
<b>LR30 BATTERY [240]</b>	Backup battery alarm 110-240Vac
<b>LR30 BATTERY [24]</b>	Backup battery alarm 12-24Vac/dc
<b>LR30 BATTERY [240] GSM</b>	Backup batt' alarm 110-240Vac GSM
<b>LR30 BATTERY [24] GSM</b>	Backup batt' alarm 12-24Vac/dc GSM

### INSTALLATION WARNINGS

- When the cover of the product is removed, ensure the supply is isolated.
- Take extra care when connecting stranded cables into the connectors. Avoid lengthy uninsulated cable and ensure there are no loose cable strands
- Do not install this product where the audio alert from the alarm will be impeded. Please note the environment the product is situated will affect the audio & visual alert.
- If the battery is damaged in any way replace immediately.