

# INDUSTRIAL DOOR ACTIVATION SENSORS

## High Mount Motion and Presence Detection



# HR17i



### FEATURES

- The sensor can be installed at heights of between 3 to 6 meters.
- The sensor head angle can be freely adjusted up/down or right/left depending on user requirements.
- The sensing pattern size can be simply adjusted using dipswitch settings.
- Presence timer settings adjustable to 2, 60 seconds, 10 minutes and infinity.
- Snow mode and normal mode to prevent malfunctions due to falling snow and flying insects.
- 4-frequency setting to avoid cross interference between sensors in close proximity.
- High resistant to water to facilitate outside installation.
- Operation 12 - 24V AC/DC, Form C relay.



*Active Infrared Motion and Presence detection sensor specifically designed for the activation of industrial doors up to 6m in height.*

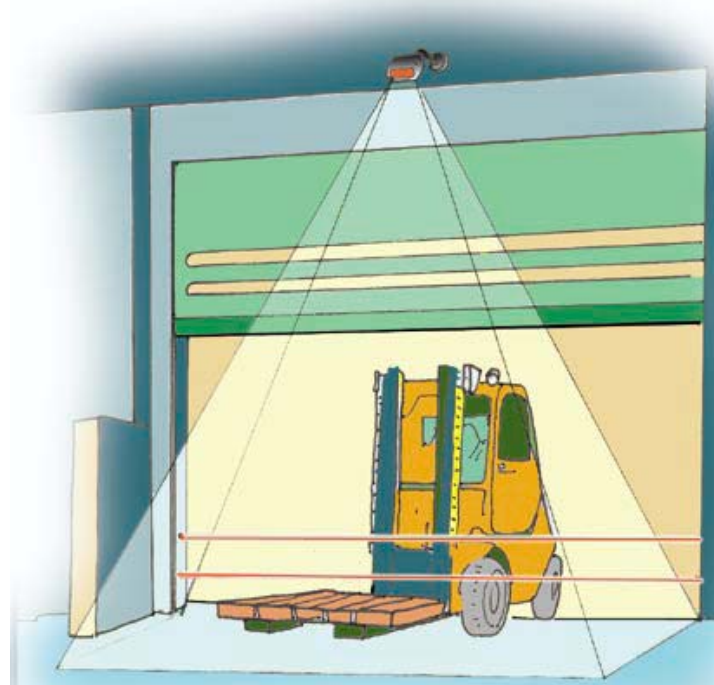


*Highly adjustable sensor head allows the user to focus the sensing area where required.*



**MEETING YOUR  
SENSING  
REQUIREMENTS**

[www.hotron.com](http://www.hotron.com)



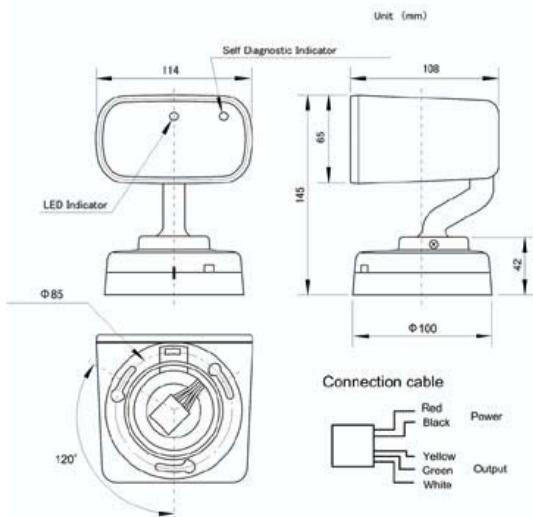


## HR17i



### High Mount Motion and Presence Detection

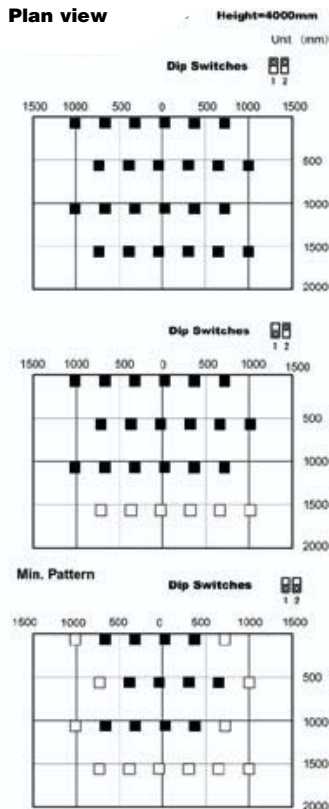
#### Dimensions



Model	HR17i ( Motion & Presence )
Detection Method	Active Infrared Detection
Installation Height	3000 to 6000 mm
Pattern Adjustments	Wide or Narrow Pattern Width (Dip Switch) 3 to 4 Rows Pattern Depth (Dip Switches) Angle Adjustment (see Fig.)
Presence Timer	2 sec. 1 min. 10 min. ∞
Power Supply	12 to 24V AC or DC ±10%
Power Consumption	AC24V-2.8VA, AC12V-2.5VA DC24V-75mA, DC12V-150mA
Output Contact	Relay contact: DC30V 2A (Resistance Load) Yellow Cable: Close when detecting Green Cable: Open when detecting White Cable: Common
Output Holding Time	Approx. 0.5 sec.
Indication	Power on: Red = ON Detecting: Red = OFF Self Diagnostic Function: Red = Flashing High Reflection Monitor: Red Normally = OFF High Reflection = ON
Temperature Range	-20°C to +55°C
Weight	Approx. 380g
Accessories	Connection Cable Mounting Template Mounting Screws Installation Instructions

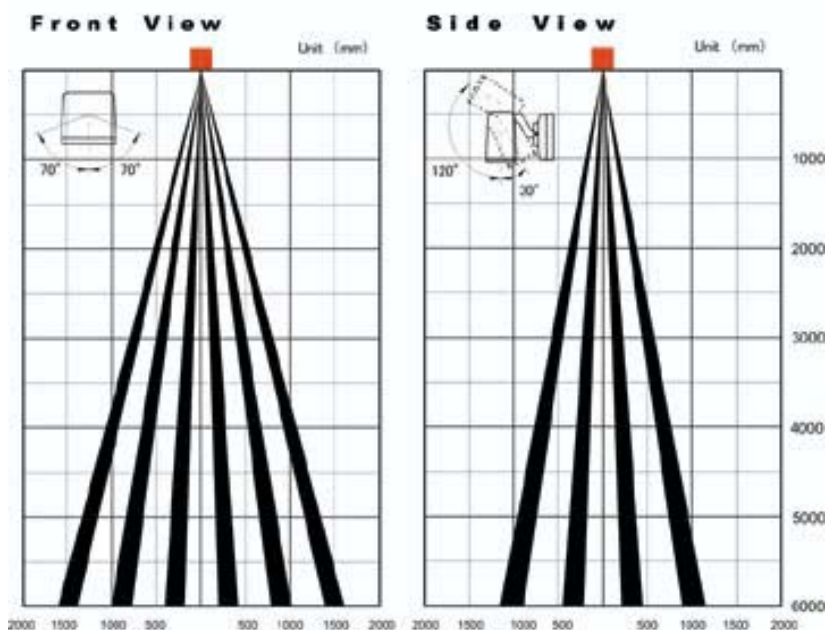
#### Sensing Pattern

##### Plan view



NOTE: Specifications may change without prior notice

#### Detection Area



#### HOTRON IRELAND LTD.

37 Dublin Street (2nd Floor), Carlow, Ireland.  
Tel: +353-(0)503-40345 · Fax: +353-(0)503-40543  
URL: <http://www.hotron.com>

#### HOTRON CO. LTD.

1-11-26 Hyakunin-Cho Shinjuku-ku, Tokyo 169-0073, Japan.  
Tel: +81-3-5330-9221 · Fax: +81-3-5330-9222  
URL: <http://www.hotron.co.jp>

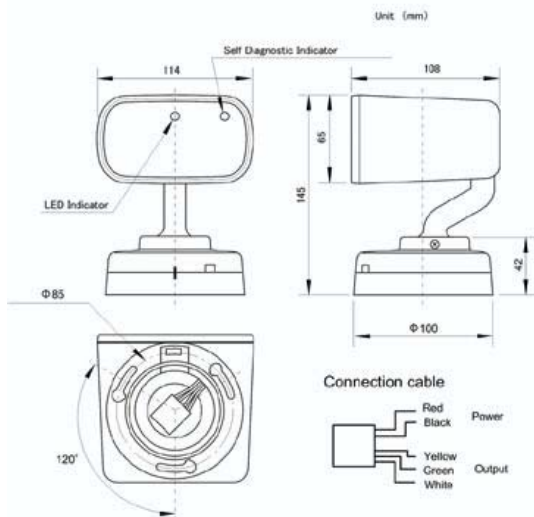


## HR17i



### High Mount Motion and Presence Detection

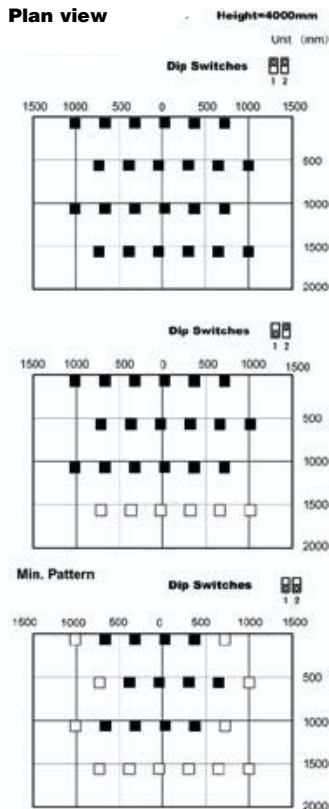
#### Dimensions



Model	HR17i ( Motion & Presence )
Detection Method	Active Infrared Detection
Installation Height	3000 to 6000 mm
Pattern Adjustments	Wide or Narrow Pattern Width (Dip Switch) 3 to 4 Rows Pattern Depth (Dip Switches) Angle Adjustment (see Fig.)
Presence Timer	2 sec. 1 min. 10 min. ∞
Power Supply	12 to 24V AC or DC ±10%
Power Consumption	AC24V-2.8VA, AC12V-2.5VA DC24V-75mA, DC12V-150mA
Output Contact	Relay contact: DC30V 2A (Resistance Load) Yellow Cable: Close when detecting Green Cable: Open when detecting White Cable: Common
Output Holding Time	Approx. 0.5 sec.
Indication	Power on: Red = ON Detecting: Red = OFF Self Diagnostic Function: Red = Flashing High Reflection Monitor: Red Normally = OFF High Reflection = ON
Temperature Range	-20°C to +55°C
Weight	Approx. 380g
Accessories	Connection Cable Mounting Template Mounting Screws Installation Instructions

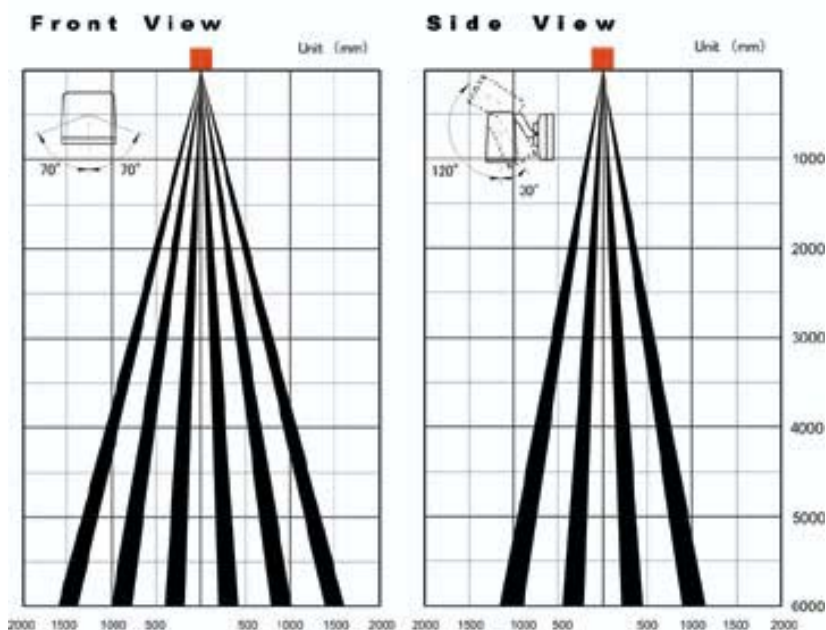
#### Sensing Pattern

##### Plan view



NOTE: Specifications may change without prior notice

#### Detection Area



#### HOTRON IRELAND LTD.

37 Dublin Street (2nd Floor), Carlow, Ireland.  
Tel: +353-(0)503-40345 · Fax: +353-(0)503-40543  
URL: <http://www.hotron.com>

#### HOTRON CO. LTD.

1-11-26 Hyakunin-Cho Shinjuku-ku, Tokyo 169-0073, Japan.  
Tel: +81-3-5330-9221 · Fax: +81-3-5330-9222  
URL: <http://www.hotron.co.jp>