

DOOR ACTIVATION SENSOR

Two Row Motion and Presence Detection

HR942D



FEATURES

- The sensor body can be angled at up to 10° to ensure timely detection of fast moving traffic.
- Presence timer settings adjustable to 2, 15, 60 and 180 seconds.
- The sensor microprocessor automatically takes countermeasures against adverse conditions such as falling snow and strong sunrays and electric noise.
- Quick installation and easy to adjust.
- Active area is very specific with high degree of adjustment flexibility.
- 12-32V AC-DC operations, Normal Open relay.
- Simple design to suit with every Automatic Door.




MEETING YOUR
SENSING
REQUIREMENTS

www.hotron.com



 *Simple and extremely cost effective sensor for use on all automatic door types.*

 *Ability to angle the sensor body to up to 10° ensures the timely detection of fast moving traffic.*



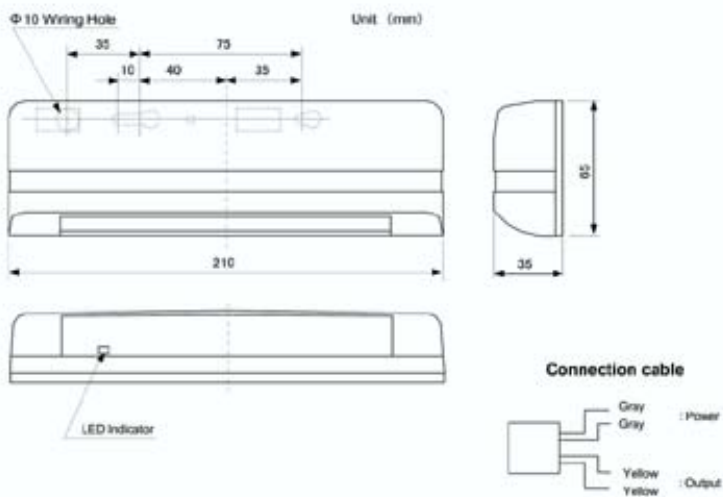


HR942D



Two Row Motion and Presence Detection

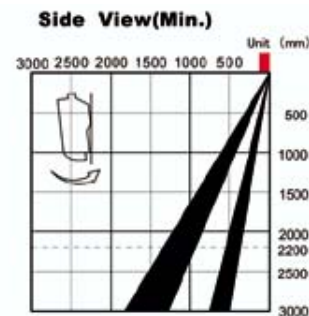
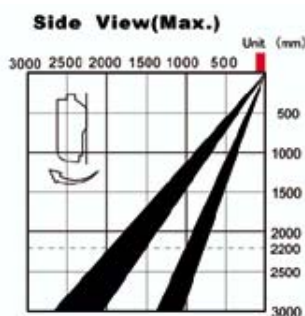
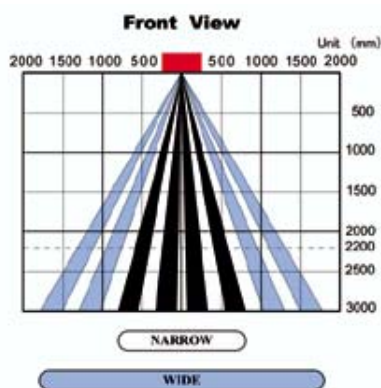
Dimensions



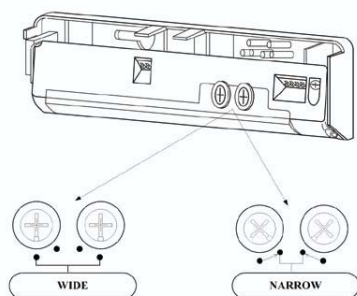
Model	HR942D (Motion & Presence)
Detection Method	Active Infrared Detection
Installation Height	Max 3000 mm
Pattern Adjustments	Wide or Narrow Pattern Width (Mask Dial) Angle adjustment 0° to 10° in 6 steps 1 to 2 Rows Pattern Depth (Dip Switches)
Presence Timer	2, 15, 60, 180 sec.
Power Supply	12 to 32V AC or DC ±10%
Power Consumption	AC24V-2VA, AC12V-1.5VA DC24V-55mA, DC12V-85mA
Output Contact	Relay contact: DC50V 0.1A (Resistance Load) Yellow Cable: Close when detecting
Output Holding Time	Approx. 0.5 sec.
Indication	Power on: Green = ON Detecting: Red = ON Self Diagnostic Functio : Red/Green = Flashing
Temperature Range	-20°C to +60°C
Weight	Approx. 200g
Color	Black & Silver
Accessories	Connection Cable Mounting Template Mounting Screws Installation Instructions

Detection Area

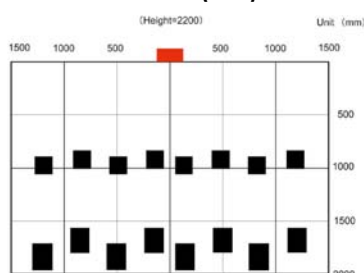
NOTE: Specifications may change without prior notice



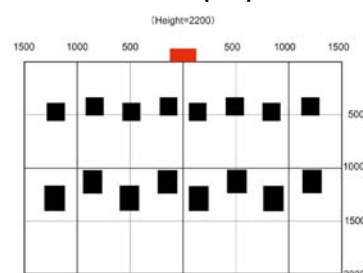
Width Adjustment



Plan View (Max.)



Plan View (Min.)



HOTRON IRELAND LTD.

37 Dublin Street (2nd Floor), Carlow, Ireland.
Tel: +353-(0)503-40345 · Fax: +353-(0)503-40543
URL: <http://www.hotron.com>

HOTRON CO. LTD.

1-11-26 Hyakunin-Cho Shinjuku-ku, Tokyo 169-0073, Japan.
Tel: +81-3-5330-9221 · Fax: +81-3-5330-9222
URL: <http://www.hotron.co.jp>