

# 3 PHASE PUMP LEVEL CONTROL UNIT LR-12

- ❑ **Interfaces with all TRITON float switches**
- ❑ **Weatherproof plastic enclosure to IP67**
- ❑ **Input Power: 230V AC, 150mA fuse**

The LR-12 interfaces with all Triton float switches and controls the operation of 3 phase pumps for filling and emptying operations..

It can be connected for either one or two float switch operation.

The LR-12 is CE marked and meets the requirements of the EMC and Low Voltage directives. The input (float switch) side of the unit operates at 24V AC and the control provides fully isolated volt free contactor outputs for driving 3 phase pump motors.

The LR-12 kit comprises the control unit, complete with transformer, contactor, terminal blocks and fuse, housed in a fully weatherproof box together with cable entry glands.

## **Enclosure**

Grey polystyrene (RAL7035), acid and alkali resistant, non-flammable, impact resistant case with groove and lip seal polyurethane gasket, giving environmental protection to IP67. The wall mount holes are located outside of the seal.

## **Dimensions:**

Height 110mm

Width 180mm

Depth 90mm

## **Contactor**

Coil. 24V AC,

Switching capability 4KW-380/415vac, 5HP-480vac

## **Fuses**

150mA F, 20mm in both primary and secondary circuits



IN CONTROL



TRITON CONTROLS LTD., UNIT 2 RANDOLPH INDUSTRIAL ESTATE, EVENWOOD, BISHOP AUCKLAND,  
CO. DURHAM DL14 9SJ

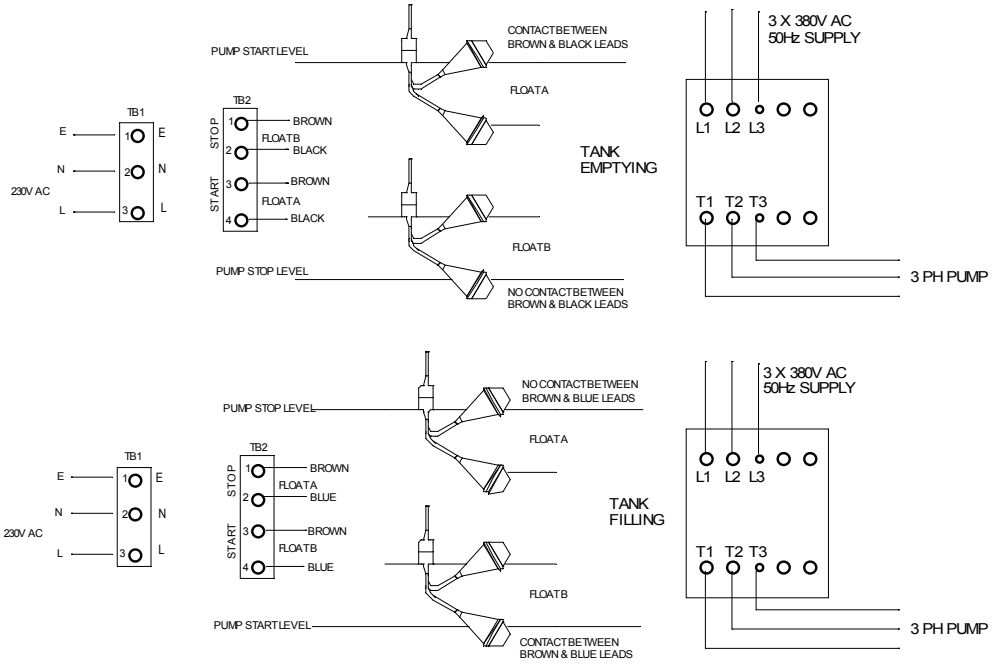
TEL.01388 833000 FAX 01388 833680

WEB. [www.tritoncontrols.co.uk](http://www.tritoncontrols.co.uk)

e-mail [info@tritoncontrols.co.uk](mailto:info@tritoncontrols.co.uk)

# LR-12 LEVEL CONTROL UNIT---CONNECTIONS

## OPERATION WITH TWO FLOAT SWITCHES



## SINGLE FLOAT SWITCH OPERATION

