



216 Series

Activation



Hands Free Infrared Automatic Door Activation Switch

Brushed stainless steel door frame or wall mount touchless switch designed for the reliable activation of full or low energy swing doors



- **Hands Free Door Activation**
Non-touch door activation up to a distance of 76cm (30inches)
- **Elegant & Hygienic**
Flush mount the 216 Series to wall or door frame for added elegance and hygiene
- **Increased Safety**
Should power fail to the switch, the door will default to the open position due to the "fail open" safety setting
- **Simple to Install**
Inserts directly into the door frame or for wall mount installations use 216-L in conjunction with our electrical box 256R



www.hotron.com



HOTRON
AUTOMATIC DOOR SENSORS

216 Series

Activation



Technical Specification

Model	216 Series Non Touch Pedestrian Door Activation Switch	
Detection Method	Microprocessor Controlled Active Infrared Detection	
Detection Distance	152mm to 760mm (6in. to 2.5ft)	
Sensor Dimensions	216-N (Door Jamb Mount):	38mm (W), 114mm (H), 32mm (D)
	216-L (Wall Mount):	70mm (W), 114mm (H), 32mm (D)
	256R (Electrical Box for 216-L):	57mm (W), 110mm (H), 70mm (D)
Pattern Adjustment	Detection Distance Adjustment:	Sensitivity Potentiometer
Presence Timer	None	
Power Supply	12 to 24V AC or DC (Non Pole)	
Input Current	Approx. 100mA @ 18V AC	
Avg. Radiated Power	Less than 18mW	
Output Relay	Form C rated at 3 amps at 24V DC (resistive)	
Relay Hold Time	Adjustable 0-5sec	
Relay Operation Modes	Normal or "fail safe" (jumper selectable)	
Response Time	Less than 0.3 seconds	
Operating Temperature	-25°C to +60°C, (-13°F to 140°F) (Recommended for interior use)	

Accessories



256R
Single gang electrical box for wall mounting 216-L switch (blue)

Range Available



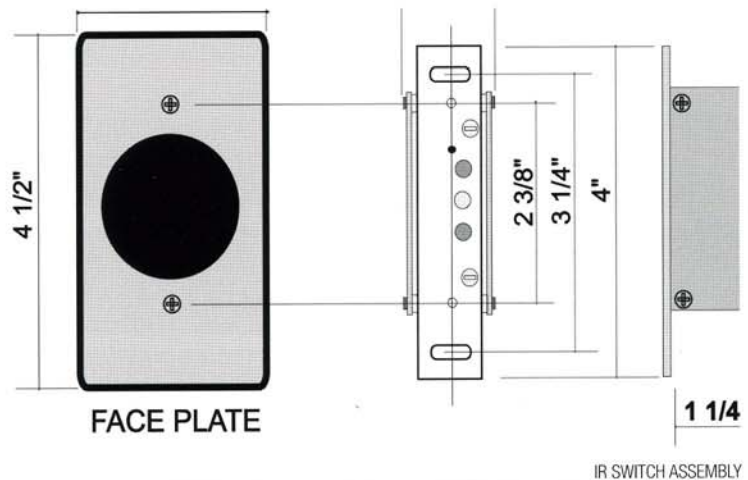
216-L
Wall mounting switch
(H)114 x (W)70 x (D) 32mm



216-N
Door frame mounting switch
(H)114 x (W)38 x (D) 32mm

Dimensions (inches)

216-L
(Single-Gang)



216-N
(Door Jamb Mount)

