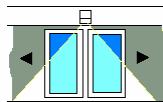


OPERATING INSTRUCTIONS FOR SLIDING DOOR RETROFIT CONTROLLER DC-02

1. INTRODUCTION
2. SAFETY INSTRUCTIONS
3. SPECIFICATION
4. OPERATING INSTRUCTIONS AND CONTROL FUNCTIONS
5. SET UP PROCEDURE
6. CONNECTIONS



IN CONTROL

241013 ISSUE10 PCB EN 16005 COMPLIANT VERSION

TRITON CONTROLS LTD., UNIT 2, RANDOLPH INDUSTRIAL ESTATE, EVENWOOD,
BISHOP AUCKLAND, CO. DURHAM DL14 9SJ
Tel. +44 (0) 1388 833000 Fax +44 (0) 1388 833680
web. www.tritoncontrols.co.uk e-mail info@tritoncontrols.co.uk

1. INTRODUCTION

The DC-02 system has been designed as part of a retro-fit system for automatic sliding doors. The basic system consists of a controller module that provides the interface with the drive motor and pulley, auxiliary battery and all sensors. A second module provides the power supply of 24v ac from mains 230v ac supply.

The drive system consists of a Dunker GR63-55 motor, SG80 worm drive gearbox, drive pulley and ME52/12 shaft encoder.

Although the DC-02 has been designed primarily for this motor/ gearbox/encoder combination it has the flexibility to accept other motor gear box combinations if desired. The kit also comprises a 24v, 1.2Ah battery pack and programme key-switch.

In order to obtain the full potential of the DC-02, the system to which the kit is to be retrofitted must be compatible, mechanically sound and free running, with door weights within the specified limits for DC-02

2. SAFETY INSTRUCTIONS

The DC-02 has been designed according to current standards and technical safety regulations, including, for example, limiting of forces and speeds. It may be dangerous to use it for applications other than that for which it is intended.

Installation, maintenance and repairs to the DC-02 should only be performed by qualified and authorized personnel.

The DC-02 is designed purely for use on automatic sliding doors. The installation should be under cover and not exposed to an outside environment.

Any use other than the above is deemed to be other than its intended purpose. As such the manufacturer cannot accept any liability for any subsequent damage.

The operator must be aware of the operating conditions of the manufacturers specification and must ensure regular care maintenance and repair.

Unauthorised modification to the DC-02 system will invalidate all warranties.

The system must always be run with safety sensors connected

During the initial learning cycle all sensors, including safety sensors, are switched off. Care must, therefore be taken that no persons or objects are present in the danger zone during this operation.

The installation is not intended to be disconnected from the mains at night.

EC DECLARATION OF CONFORMITY

We Triton Controls Ltd
2 Randolph Industrial Estate
Evenwood
Bishop Auckland, Co. Durham
DL14 9SJ

Declare that the **DC-02 Retrofit controller for automatic sliding doors**

Conforms to the requirements of the EMC Directive 89/336/EEC and the Low Voltage Directive 73/23/EEC

We further declare that the machinery into which it is to be incorporated, or to which it is to be a component, should conform to the provisions of Directive 98/37/EC



P. Clarke, Technical director

3. SPECIFICATION

3.1 User Interface

- Manual adjustment of operating parameters, via push buttons with on-board LCD display. All parameters stored in non-volatile memory.
- Impulse push button to initiate door opening cycle
- Reset push-button to initiate a full system reset. (also by remote facility).
- System switch-----4 position key switch. CLOSED, OPEN, EXIT ONLY, AUTOMATIC
- Optional 2 position Morning Entry switch.

3.2 Power Supply

- Input Nominal 230v ac mains, 50 to 60 Hz
- Output Nominal 34v DC motor supply
- Emergency battery 24V, 1.2Ah
- Operating Temperature -20°C to +50°C

3.3 Controller

On board features

- Liquid crystal display with 2 lines of 16 characters
- Pushbuttons for RESET, IMPULSE, ENTER, INCREMENT, DECREMENT & ESCAPE
- Audible warning
- Battery conditioning & monitoring

Outputs-

- Motor, reversible 0 to 34V DC PWM speed control
- Lock solenoid, programmable 12V or 24V DC and for powered ON (FAIL SAFE) or powered OFF (FAIL SECURE)
- *Relay. Configured to supply HZ-C ultrasonic presence sensor initialisation (self-teaching) pulse.
- *HZ-C-CS, constant sensing presence sensor, self test pulse output

** **Note.** The last 2 items apply when HZ-C-CS presence sensor is fitted in lieu of safety beams. The self-test feature enables the HZ-C-CS to meet the self test requirements of the proposed EN norm for safety of automatic doors.*

- +24V 1A DC supply for sensors.
- +5V DC supply for motor encoder

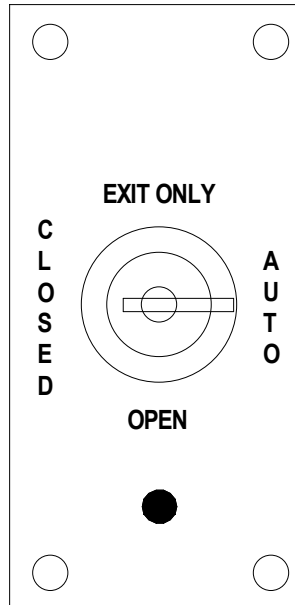
Inputs

- Encoder quadrature inputs
- Activation sensor 1 –inside (normally OPEN)
- Activation sensor 2—outside (normally OPEN)
- Hold -- Holding beam or HZ-C presence sensor input (normally CLOSED)
- Side screen sensor(s)—Can support integral buzzer sensors (HR94-TBC) or Standard sensor with relay output providing signal to initiate alarm and creep motion.
- Morning entry—momentary key switch
- Fire Alarm (**NORMALLY CLOSED**)
- Emergency Stop (**NORMALLY CLOSED**)
- Reset
- System switch-----4 position key switch. CLOSED, OPEN, EXIT ONLY, AUTOMATIC

4. OPERATING INSTRUCTIONS AND CONTROL FUNCTIONS

4.1 System switch

The function switch is fitted with a 4 position rotary key switch, which is used to set the various modes of operation.. The key switch can be withdrawn in any position.



Modes of operation

- AUTOMATIC. This is the standard operating mode. The door is actuated by the actuation of Sensor 1 or Sensor 2, the approach sensors, or by pressing the “Impulse” button on the key pad. The door closes again after the hold open time has expired.
- OPEN. The door remains continuously open.
- CLOSED. The door remains continuously closed and, (if a lock is fitted and programmed), locked.
- EXIT ONLY. The door operates in automatic mode, but in one direction only. Activation is. by the internal approach sensor or by the optional key-operated Morning Entry Switch. If a lock is fitted and programmed the doors are locked in the closed position.
- RESET BUTTON. A system reset may be effected by pressing the small push button on the function key switch for approximately 10 secs, when the function switch is set to “OPEN”

4.2 LCD Display

The display has 2 lines, each of 16 characters.

In the normal running modes, as defined by the system switch the display will indicate as follows, when the door is at rest.

- **Automatic Mode**

Closed	123456
AUTOMATIC	600

. The number refers to the encoder datum count and is dependent on parameter settings.

The top number is a cycle counter, it can be reset to zero by pressing and holding DEC for 5 secs then INC for 5 secs(still hold DEC pressed) then releasing INC for 5 secs

- **Open mode**

Hold open-	
CONTINUOUSLY	1780

The number refers to the encoder count in the fully open position and is also dependent on parameter settings.

- **Closed mode**

Closed	
MANUAL OFF	600

- **Exit only mode**

Closed	
EXIT ONLY	600

When the door is in cycle the display will indicate status in sequence as follows.
(XXXX The encoder count will vary as the door position varies)

Open Fast	
	XXXX

Decel Open	
	XXXX

Open slow	
	XXXX

Hold open	
-----------	--

Time	XX
------	----

(Where XX is the hold open count down in secs)

Close Fast	XXXX
------------	------

Decel Close	XXXX
-------------	------

Close slow	XXXX
------------	------

If for any reason the door cycle is interrupted the LCD will display the following

Obstruction!	
--------------	--

Followed by either,

Open slow	XXXX
-----------	------

if the door was obstructed on closing.

Or,

Close slow	XXXX
------------	------

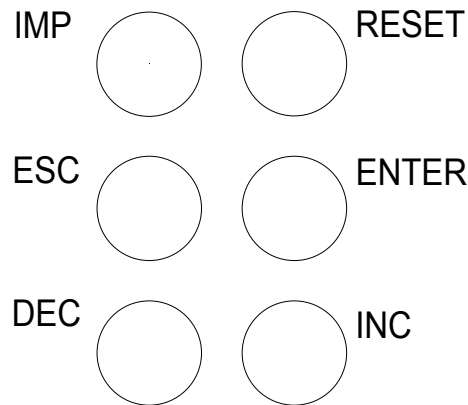
if the door was obstructed on opening

After being obstructed the door will operate in creep mode on the first part of the subsequent cycle and the display will read:

Creep obstruct	XXXX
----------------	------

It will also display the above message if the side screen sensor detects presence on the opening stroke.

4.3 Keypad functions



All control parameters and program functions are access via the 6 button keypad.
Access is in 3 distinct levels

Level 1 controls basic user adjustments such as door speeds and timings.

Level 2 provides a level of parameter adjustments that should only be accessed by qualified technicians.

Level 3 **should be approached with care. The settings in menu level 3 should not normally need to be varied from the default values.**

Menu functions and parameters appear on the LCD Display.

Level 1.

This is entered by pressing “**ENTER**”
The menu is scrolled by pressing “**INC**” or “**DEC**”

Menu Level 1:

To vary the settings press **ENTER** and change the value using **INC** or **DEC**.
When adjustments are complete, return to the menu with **ESC**.
A further press of **ESC** exits the menu.
The LCD display for the various attributes are as follows.

Stand open time

Hold open	<i>Default setting 5 secs</i>
Seconds	XX, (1 to 60s in 1 s steps)

In situations where pedestrian traffic is very heavy or continuous it is advisable to set the hold open time to a higher value of 10 secs or more. This will help to reduce the heavy load on the motor, which would otherwise occur when frequent reversal of the doors takes place.

Reset speed

Reset speed % <i>Default setting 20%</i>
XX, 5 to 50 in 1% steps

Opening speed

Opening speed <i>(Default setting 70%)</i>
XX, 10 to 98% in 1% steps

Closing speed

Close speed <i>(Default setting 40%)</i>
XX, 10 to 98% in 1% steps

Exit Only hold open time

Exit only time
XX <i>(Default setting 1 sec)</i>

Run on constant

Run on constant <i>(Default setting 12)</i>
XX, 3 to 100 in unit steps

“Run on constant” determines the level of braking as the door approaches the final part of its stroke. The **higher** the run on constant, the **greater** the tendency for the door to run on, (i.e. the **smaller** the braking effect).

EN16005 monitor

EN 16005 monitoring <i>(Default OFF)</i>
ON OFF

Side screen sensor number

Side screen number <i>(Default 0)</i>
0 or 1 or 2

Level 2

This is entered by pressing **IMP** and **INC** at the same time when in **level 1**.

Menu is scrolled by pressing **INC** or **DEC**.

Menu parameters are changed by pressing **ENTER** when the relevant attribute is displayed and pressing **INC** or **DEC** as appropriate. Values become fixed when **ESC** is pressed to return to the outer menu level.

To return from menu 2 to menu 1, press IMP and DEC at the same time.

Menu level 2.

Obstruction force

Two types of obstruction detection are used for different parts of the door opening and closing cycle. During the acceleration phase the controller samples the speed of the door. If this changes beyond the programmed limits, an obstruction is recognized and the door motion is modified accordingly. When the door is in deceleration mode the motor current is sampled and compared with a pre-programmed limit. If between samples this limit is exceeded an obstruction is recognized and the door enters into "obstruction" mode.

In the third menu level both current and speed sensitivities can be adjusted independently. These settings then become the basis for the "medium" obstruction level in the second level menu.

Obstruction !	XXX
Level	High/med/low (default med)

XXX displays the datum obstruction level that is set in level 3. This corresponds to the MED level. HIGH and LOW settings are ± 4 levels either side of the MED level.

The higher the setting the higher the obstruction force required to activate the reversal of the doors.

Battery voltage

Battery voltage
XX.XV (Displays battery volts)

Supply voltage

Supply voltage
XX.XV (Displays supply volts)

Closed offset

This displays the encoder positional offset when the doors are closed. With standard set up for a 2M opening bi-parting door, each offset count represents approx 1mm.

Closed offset
XX (Default setting 2)

Open offset

Open offset
XX (Default setting 10)

Battery monitor

Battery monitor
ON / OFF (<i>Default setting ON</i>)

ON: Battery failure or low voltage causes doors to go the state, (open or closed), that is programmed in level 3. The doors will remain in that state until the battery is restored.

OFF: The doors continue to work normally under mains power when battery fails.

Digital inputs

Digital inputs
1001101101

The sequence of 0 and 1 indicates the state of the sensor and encoder inputs.

0 indicates sensor input inactive and 1 indicates sensor input active.

This can be demonstrated by pushing the door manually and observing digit No. 1 on the display.

Digit No. (From LHS)	Input
1	Encoder
2	Sensor 1 (inside)
3	Sensor 2 (outside)
4	Hold
5	Fire
6	Morning Entry
7	Stop
8	Impulse (keypad)
9	Enter(keypad)
10	Side screen

HZC status

The output of an HZC-CS presence sensor may be connected into the HOLD input in place of holding beams.

HZC on / off
ON/OFF (<i>Default OFF</i>)

Solenoid lock

LOCK FITTED
YES / NO (<i>Default setting NO</i>)

Dorma lock

DORMA LOCK on / off
ON/OFF (<i>Default OFF</i>)

Lock configuration

LOCK CONFIGURATION*
Fail secure/ Fail safe (Default Fail secure)

In FAIL SECURE (powered OFF) mode, the doors will be locked with no power applied to the solenoid lock. The door will, therefore, remain locked on power failure. In FAIL SAFE (powered ON) mode the doors will be unlocked with no power applied to the solenoid lock.

Solenoid lock voltage

Lock voltage
12V / 24v) (default setting 12V)

HZC mute

This function suppresses the “bleep” from the HZC presence sensor when an object is detected.

HZC Mute
Press ent > inc

Factory settings

This returns all parameters to their default setting

FACTORY SETTINGS
Press ent > inc

Motor circuit

Motor circuit (Default Door Braked ON)
Push + go ON / Door braked ON

The controller can apply either a short circuit or an open circuit to the motor when it is at rest. These two conditions correspond to the, (quasi locked) or free to move respectively. In the latter condition “ Push and powered Go” is operative.

From software versions 2.0 onwards “Door Braked” is the default setting. On all versions, unless “push & Go” is specifically required, it is recommended that the “Door Braked” setting is used.

Partial control

The control can switched to 50% opening for winter conditions by switching this on or off.

Partial on / off (Default Partial OFF)
--

ON OFF

Level 3

Level 3 is entered by holding down the **IMP** and **INC** buttons whilst the RESET cycle is underway. Exit from level 3 back to the reset operation is via **ESC**. Exit from menu 3 to menu 2 is by pressing **IMP** and **DEC** together.

Menu Level 3

Battery failure mode

Battery fail
OPEN / CLOSE (<i>Default setting OPEN</i>)

Fire mode

Fire mode
OPEN / CLOSE (<i>default setting OPEN</i>)

Deceleration constant

At the end of the fast section of opening or closing the controller decelerates the door at a uniform rate. The DECEL constant varies this rate of deceleration. A high number indicates higher deceleration. Thus if the door tends to under-shoot the DECEL constant should be decreased and if the tendency is for overshoot, the DECEL constant should be increased.

Decel constant
XX (<i>Default setting 25</i>)

Obstruction, speed sensitivity

Speed sense
XX (<i>default setting 3</i>)

Obstruction, current sensitivity

Current sense
XX (<i>default setting 10</i>)

Power failure mode

This determines, in the event of power failure, whether the doors continues to operate on battery power or the doors revert to the pre-programmed failure state, (i.e. OPEN or CLOSED)

Power fail mode
CONTIN / PRE-SET (<i>default PRE-SET</i>)

Power failure pre-set condition

Power fail pre-set
OPEN / CLOSE (<i>default setting OPEN</i>)

Encoder count divide factor

This calculation is now done automatically at the reset open stage and is not user configurable

Encoder divide
Factor XX (<i>default setting 6</i>)

Monitoring

This is a monitoring function that shows the last operation of the control, it can be used to fault diagnose, but it needs to be done by consultation with triton controls.

Total Counter

This is a total cycle counter and can not be reset by the user.

Level 4 (manual mode)

This provides a means of checking the basic door controller and motor functions. It enables the door to be opened or closed at the reset speed by pressing the **INC** or **DEC** buttons respectively.

Entry to the level 4, manual mode is gained by holding down the **INC** and **DEC** buttons whilst the **RESET** is under way.

Press **RESET** again to exit from level 4, manual mode, and return to the reset operation.

5. SET UP PROCEDURE

5.1 Initial set-up

All connections, **apart from the activation sensors**, having been made, the system is ready for power up

Manually set doors to half way position.

Switch on. If motor connection is correct, the doors should start to close. If not the control will detect a negative count and reverse the direction

If door starts by closing, allow the RESET to continue. The doors will close and after a short pause will commence to open. As the door opens observe LCD display. This should count from 600 upwards.

The doors should now complete the reset cycle.

Note: On versions from 1.14 onwards this is accomplished automatically.

If the opening phase commences with no upward count, the door will stop and reverse to closed. It will then open again with the correct A/B selection as demonstrated by the upward count.

If the encoder divide factor in menu LEVEL 3 is incorrectly set, the door will halt at the fully open position and the LCD will display " incorrect counts".

NOTE FROM VERSION 2.3 ONWARDS THIS IS AUTOMATICALLY CALCULATED BY THE PROCESSOR DURING THE RESET PHASE AND NO OPERATOR ADJUSTMENT IS NECESSARY.

5.2 Optimisation of the door motion.

Activate the door by pressing the IMPulse button.

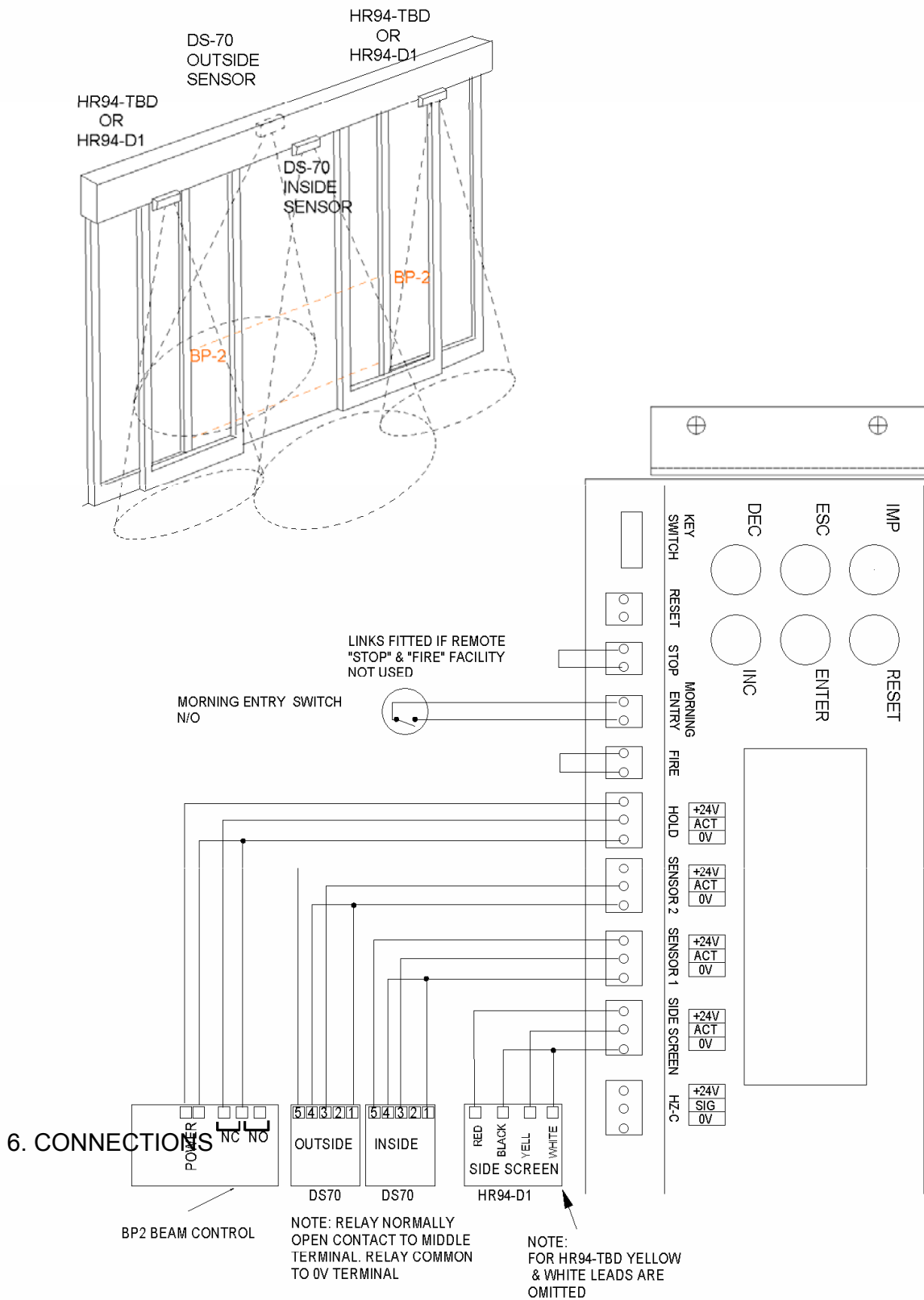
With the RUN ON parameter, (LEVEL 1 MENU) correctly set, the door should come smoothly to rest on opening and closing.

In most applications adjustment of RUN ON CONSTANT should be sufficient for smooth operation. It may in a minority of cases also be necessary to adjust the DECEL CONSTANT in menu level 3. This, however, should not normally be necessary.

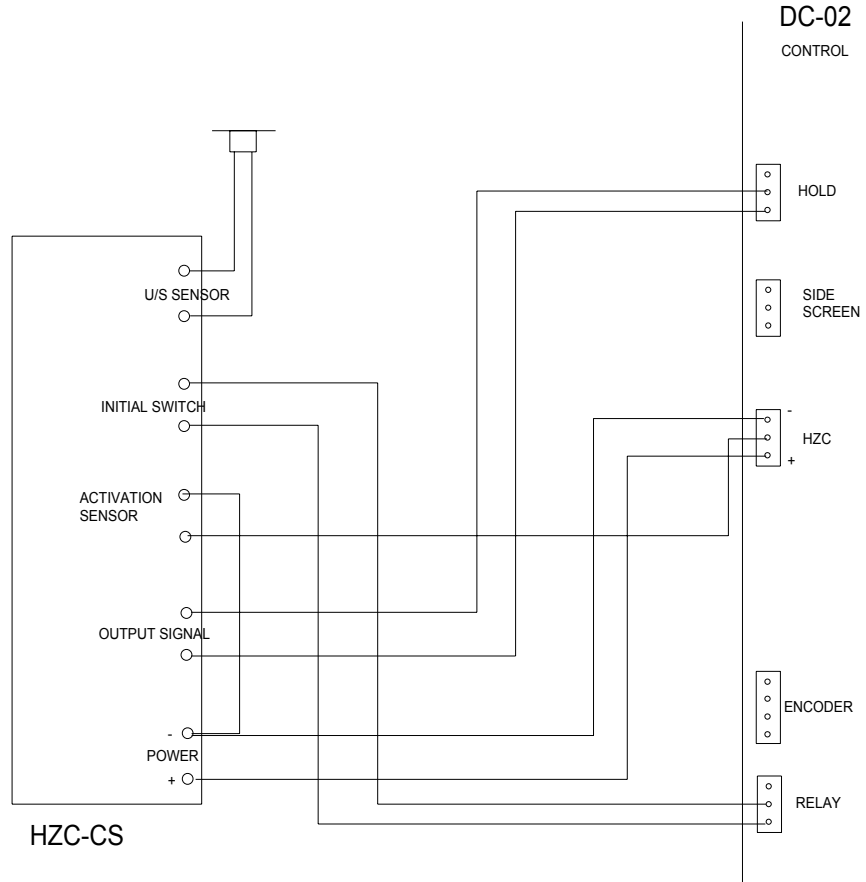
5.3 Obstruction force levels

Check obstruction force levels on door and adjust as necessary.

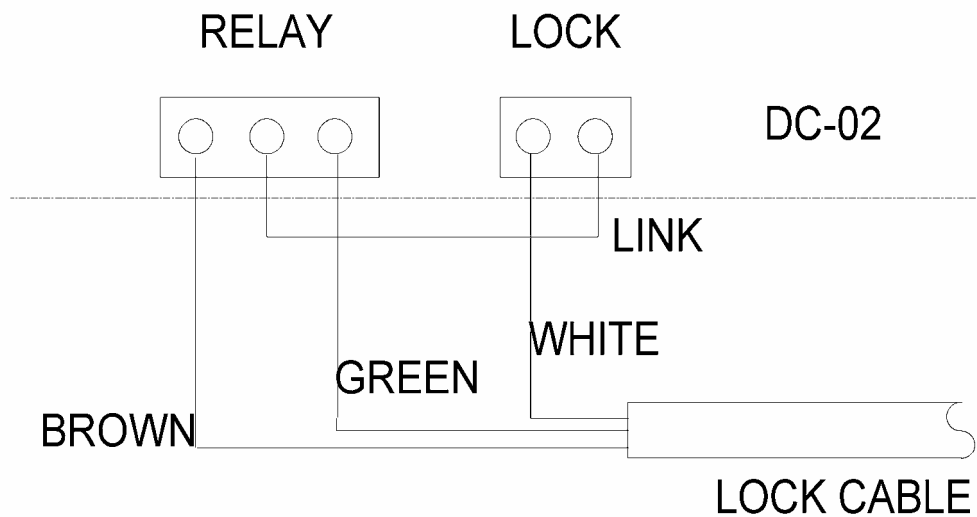
See section D CONTROL FUNCTIONS, Menu level 2 "OBSTRUCTION SENSITIVITY LEVEL" and Menu level 3, "OBSTRUCTION SENSITIVITY".

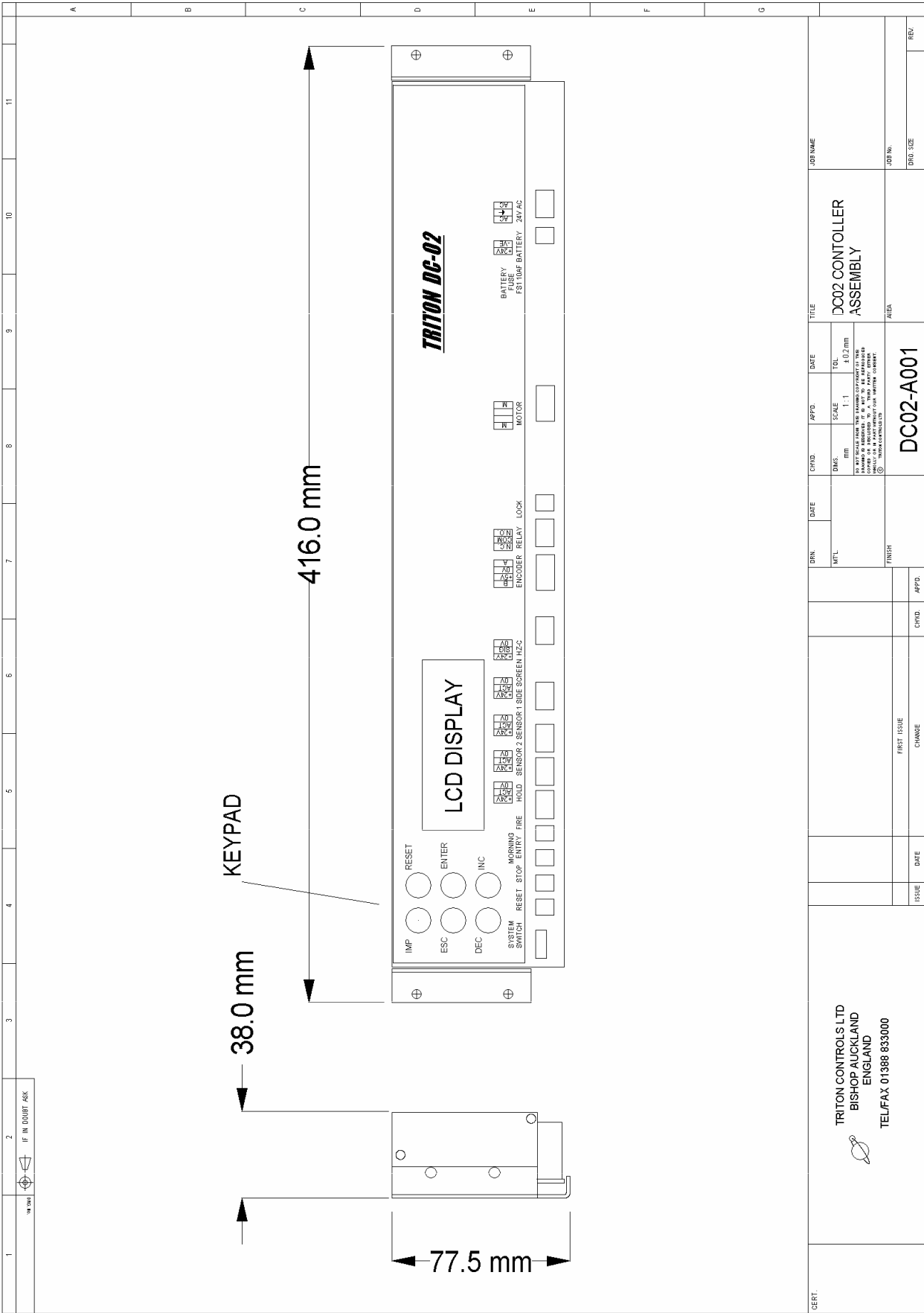


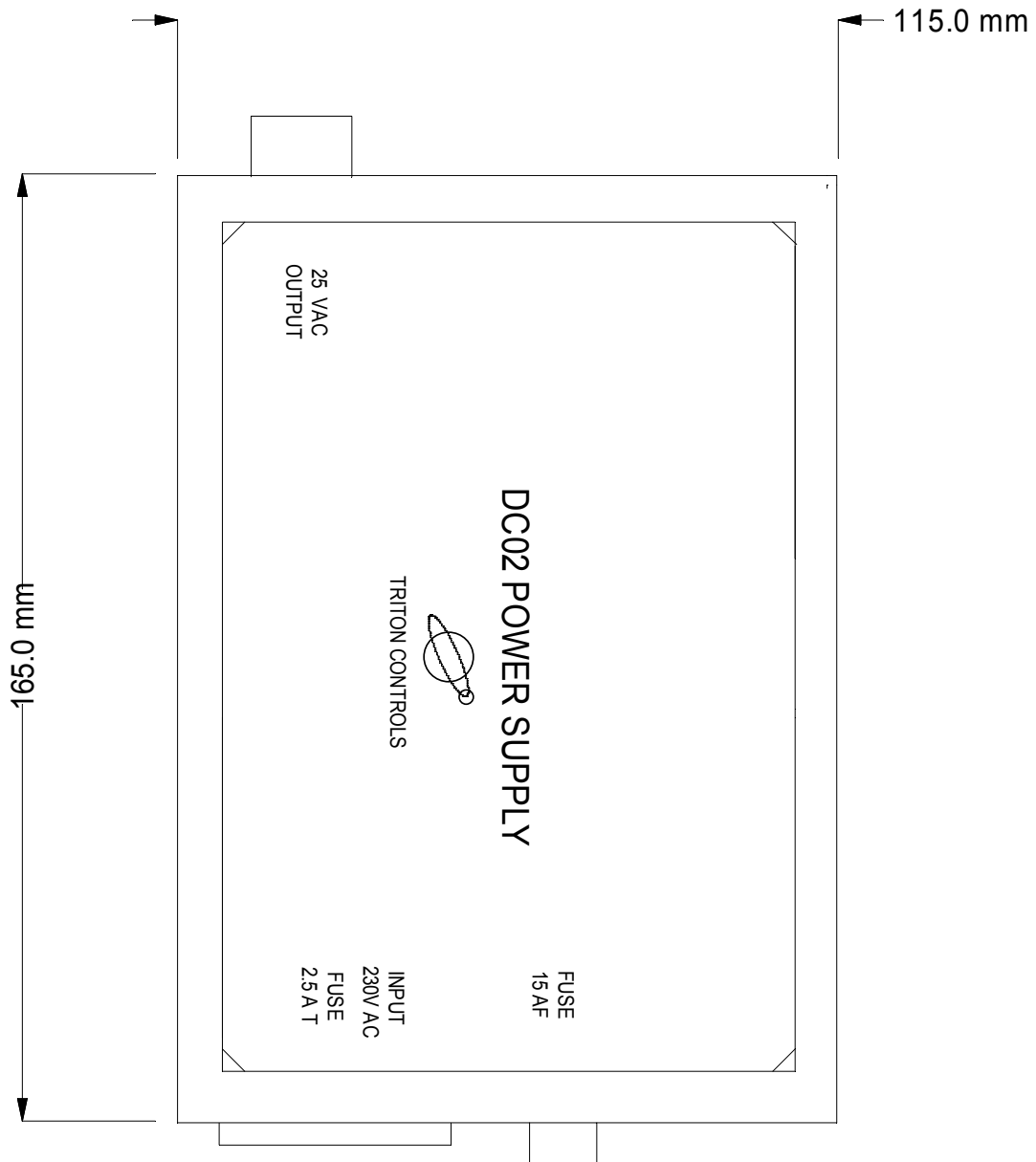
6.2 HZC-CS PRESENCE SENSOR CONNECTIONS



6.3 DORMA LOCK CONNEXIONS

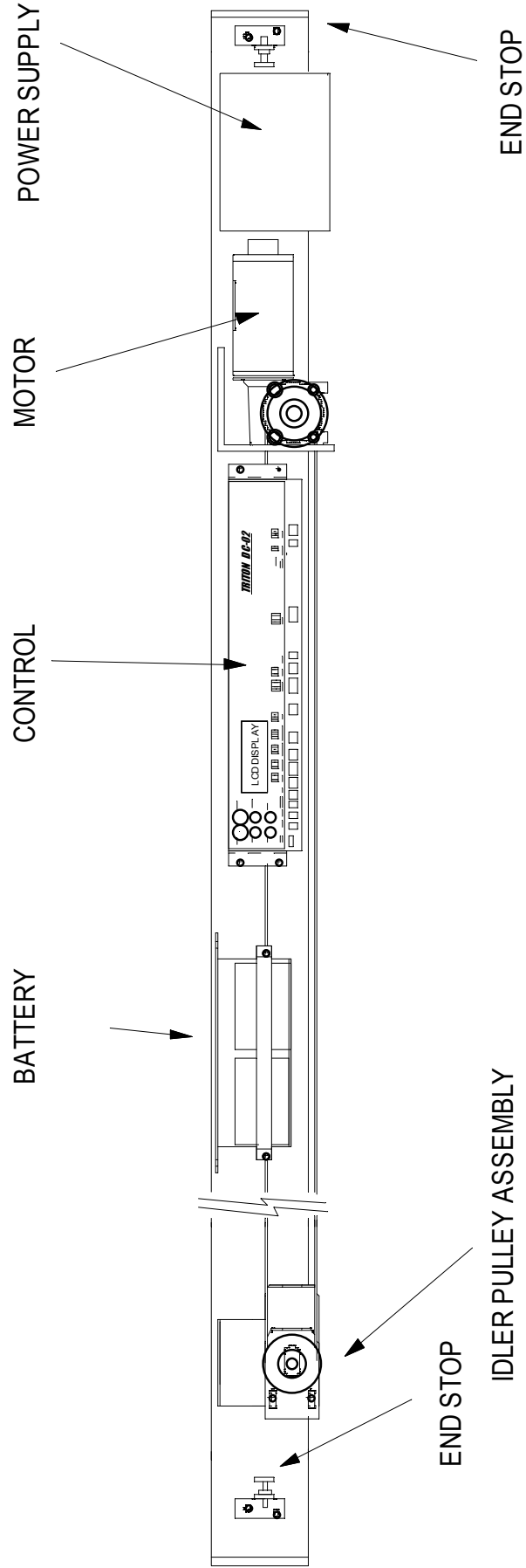


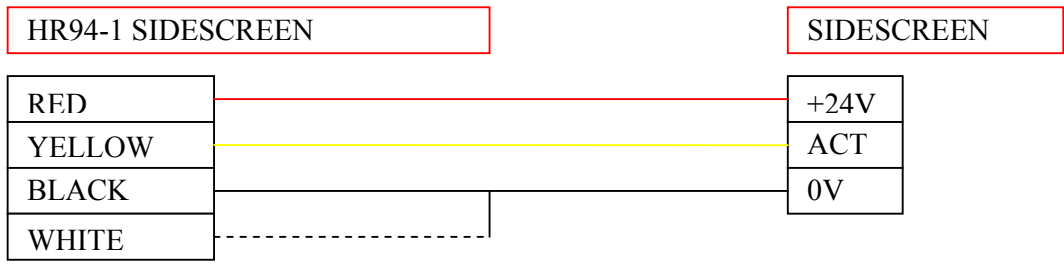
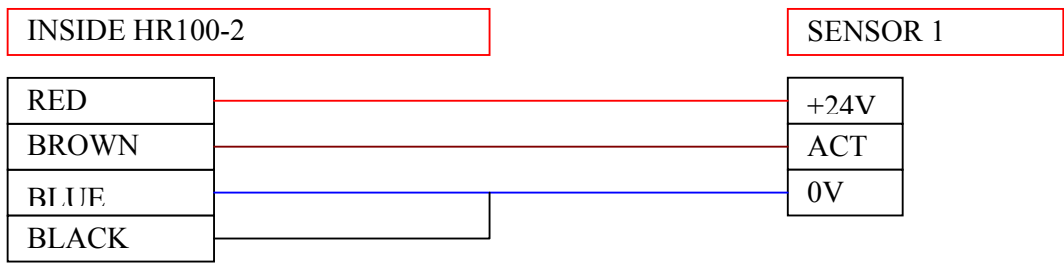
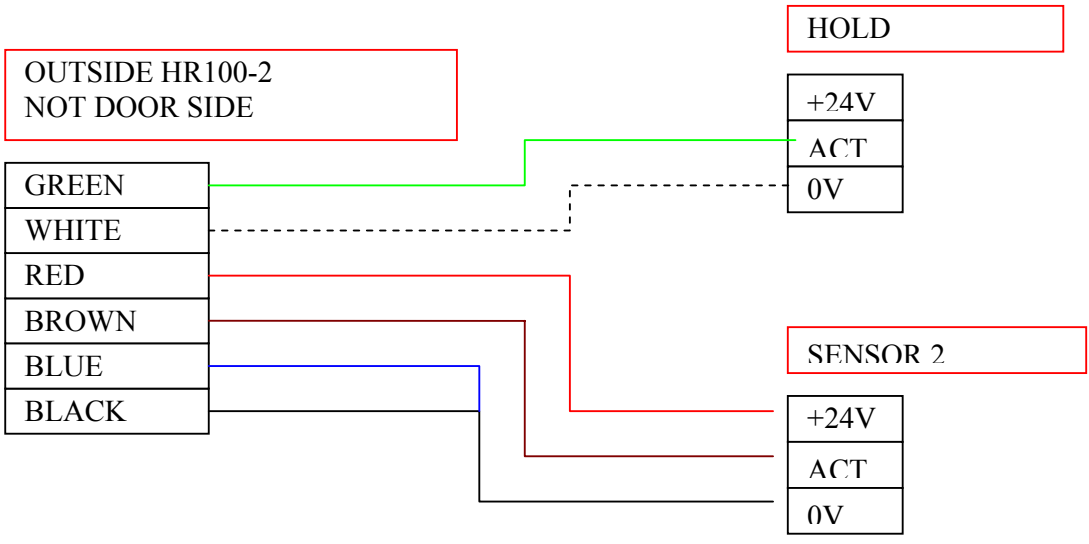




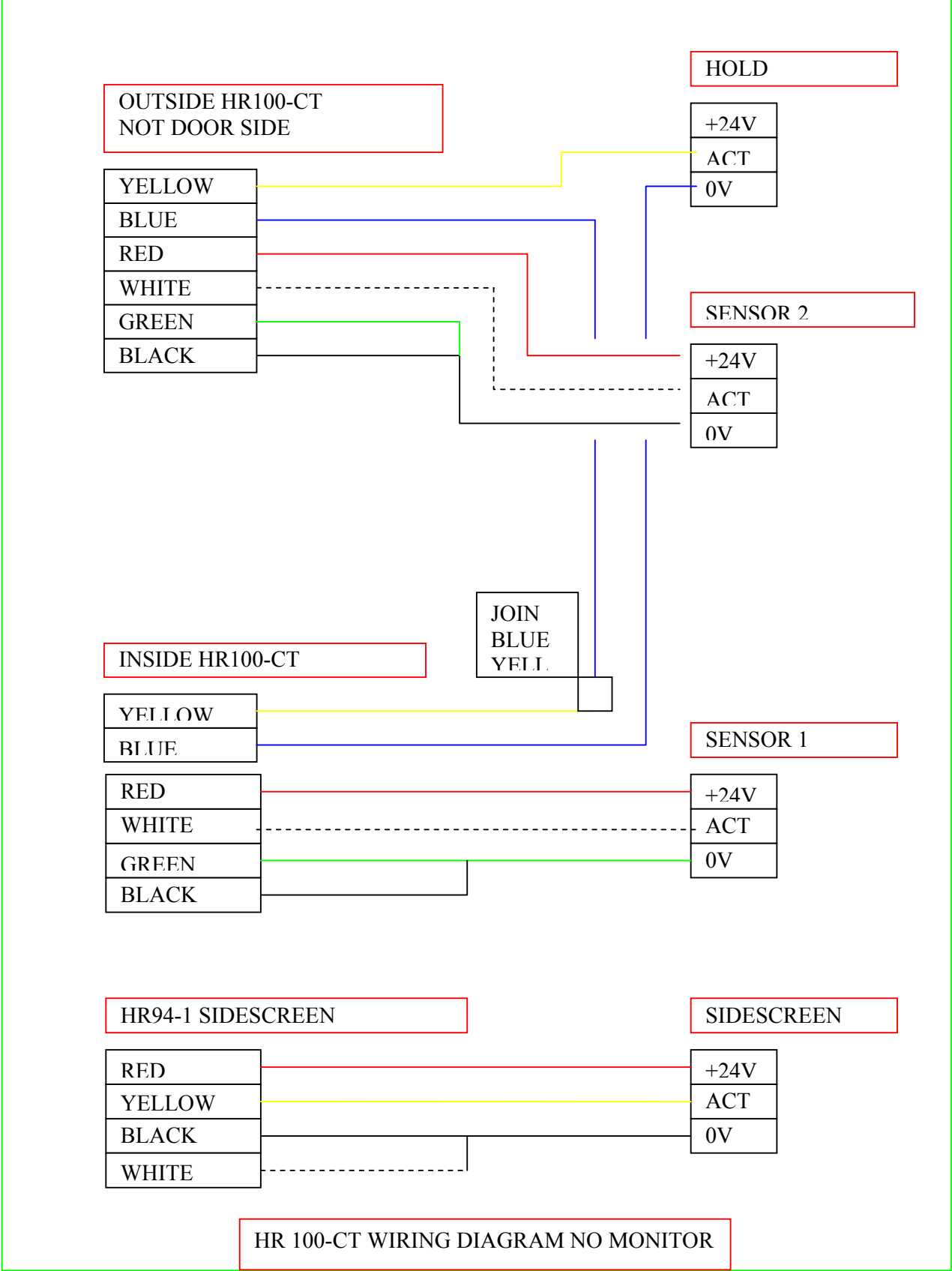
ADDENDUM 1

ASSEMBLY OF KIT
WHEN USED IN TRITON
HEADER



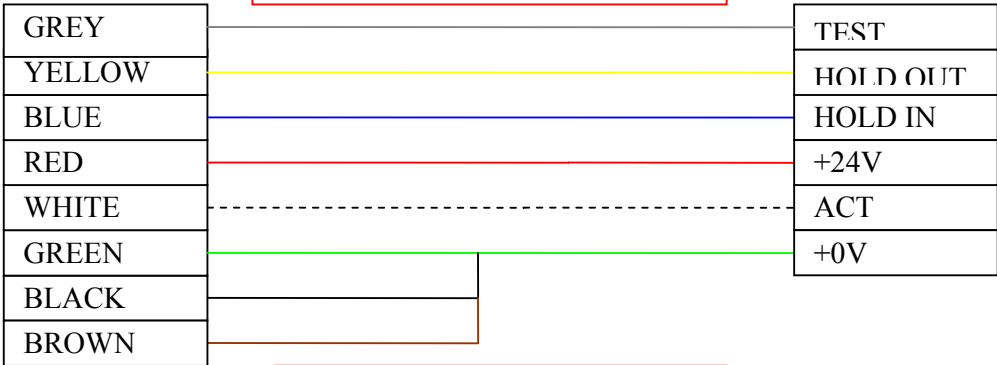


HR 100-2 WIRING DIAGRAM

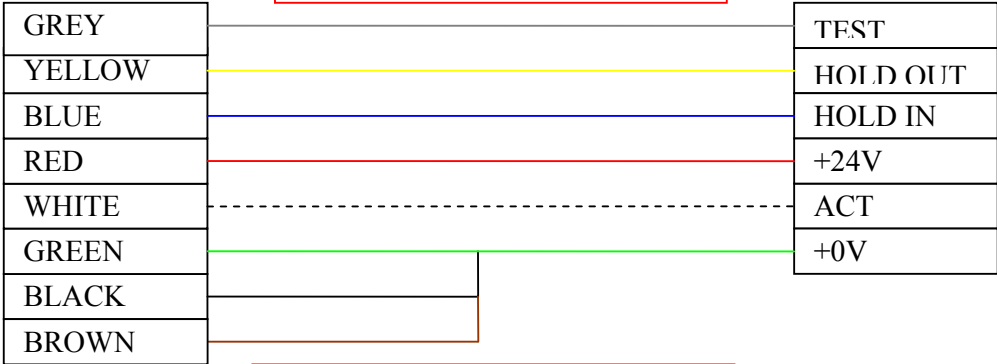


EN16005 MONITORING WIRING DETAIL USING HR100CT OR SSPR3 SENSORS

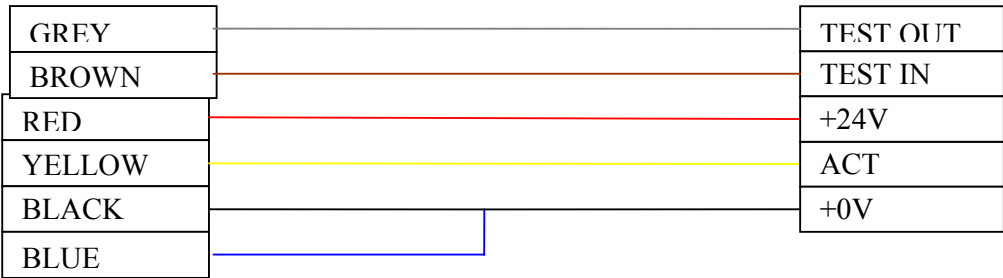
OUTSIDE HR100-CT SENSOR 2
NOT DOOR SIDE



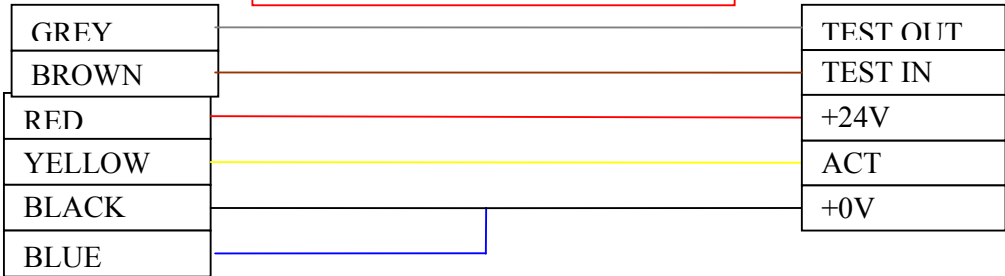
INSIDE HR100-C SENSOR 1T
DOOR SIDE



HR94-1 C SIDESCREEN LEFT



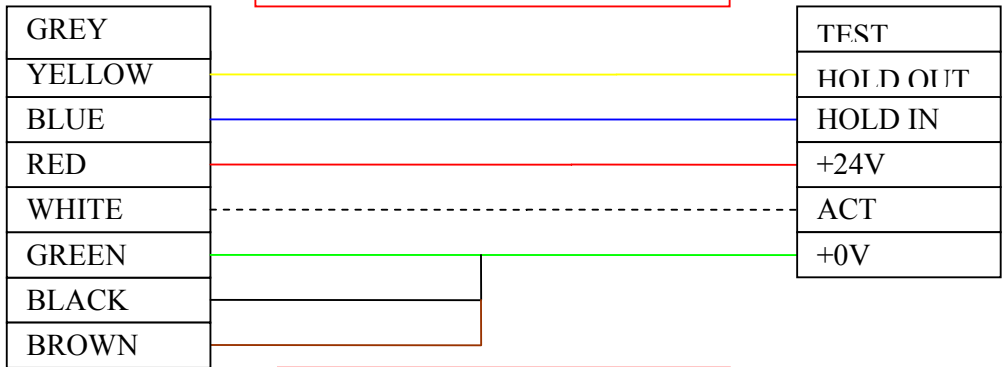
HR94-1 C SIDESCREEN RIGHT



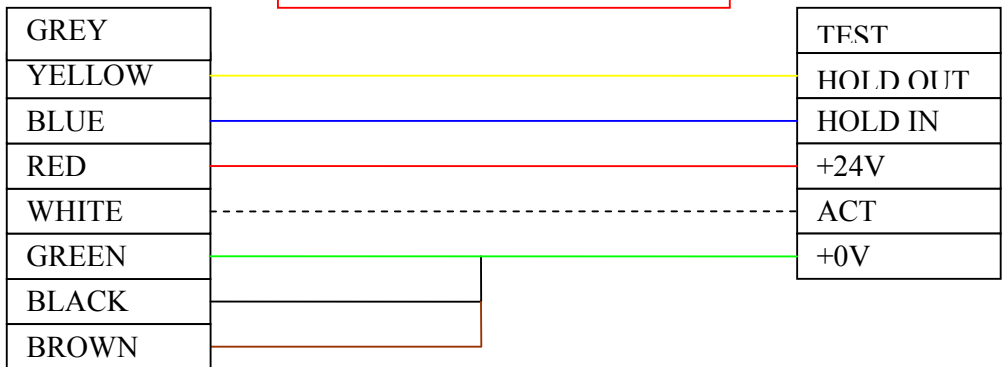
HR 100-CT/HR94-1C WIRING DIAGRAM

EN16005 NON MONITORING WIRING DETAIL

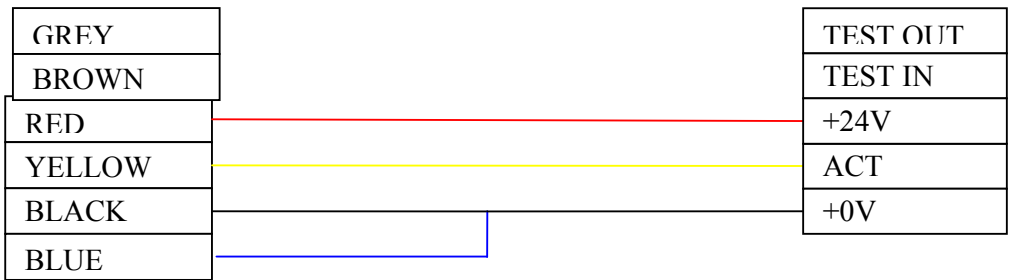
OUTSIDE HR100-CT SENSOR 2
NOT DOOR SIDE



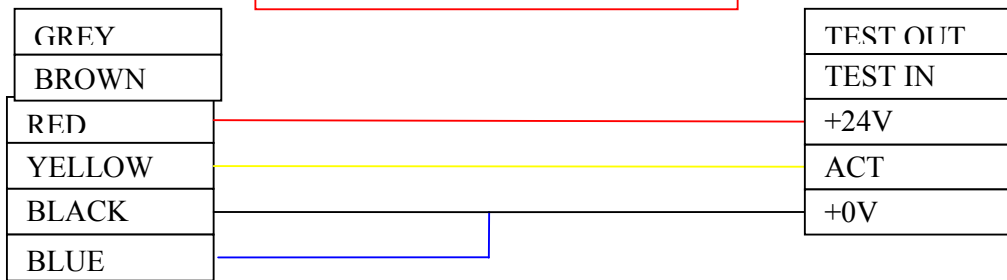
INSIDE HR100-C SENSOR 1T
DOOR SIDE



HR94-1 C SIDESCREEN LEFT

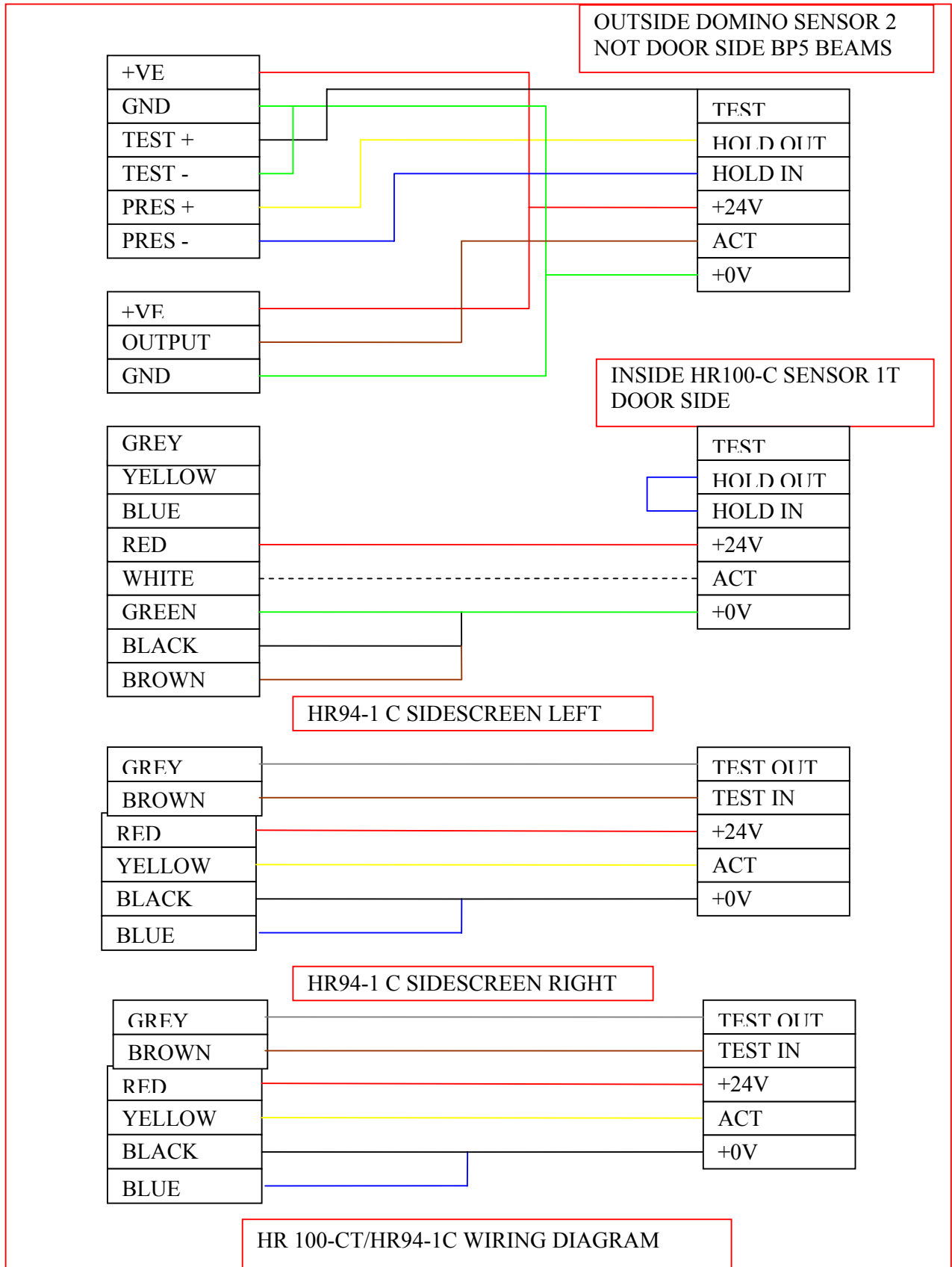


HR94-1 C SIDESCREEN RIGHT



HR 100-CT/HR94-1C WIRING DIAGRAM

EN16005 MONITORING WIRING DETAIL USING BP5 BEAMS AS SAFETY



NOTES ON CONNECTING SENSORS

For correct normal operation all four green LEDs should be on.

If side screen is not used for EN monitoring the setting in menu 1 should be 0, and for non EN monitoring simply link ACT to 0V.

For BP5 use the sensor should be programmed 2 pulses N=2 for normally closed and 2 pulses M=2 for transmitters to be turned off.

LOG FOR CONTROL		CHECKED
RESET SPEED	0-50	?
OPEN SPEED SETTING	10-98	?
CLOSE SPEED SETTING	10-98	?
HOLD OPEN TIME	0-60	?
EXIT OPEN TIME	0-60	?
RUN ON CONSTANT	0-99	?
EN16005 SELECT	ON/OFF	?
SIDE SCREEN SELECT	0,1,2	?
OBSTRUCTION	HIGH,MED,LOW	?
BATTERY MONITOR	ON/OFF	?
LOCK FITTED	YES/NO	?
LOCK VOLTAGE	12/24	?
OBSTRUCTION SAFETY (before sensors fitted)	OK	?
ACTIVATION INSIDE	OK	?
ACTIVATION OUTSIDE	OK	?
THRESHOLD SAFETY	OK	?
SIDE SCREEN SAFETY	OK	?

SIGNED

DATE

COMMON ERROR MESSAGES

'Open jam trip' if door has not moved >620 for 10 tries then trips out and waits for reset. Also if door has not passes 620 in 25 seconds then door trips out. Most common when door is manually locked overnight, and sensors haven't been turned off using closed switch.

'Close jam trip' if door has not moved past (OPEN – 20) counts for 10 tries and also for 25 seconds then door trips and waits for reset.

'Incorrect count' after moving 4-6 inches on reset, no counts from encoder, check wires, then do manual reset check if motor moves and counts occur.

'Battery Fail' battery has run flat, can be overridden by switching battery monitoring off in level 2.